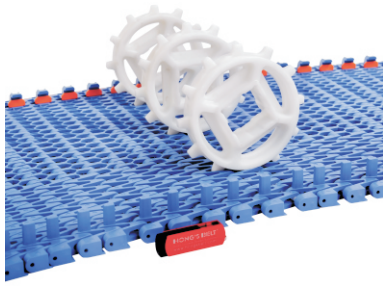
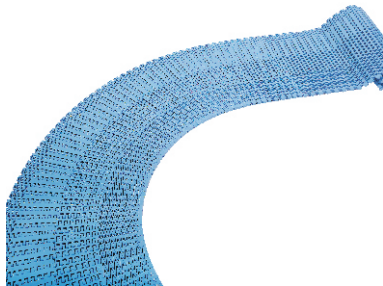
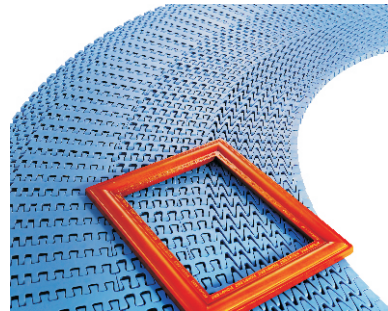
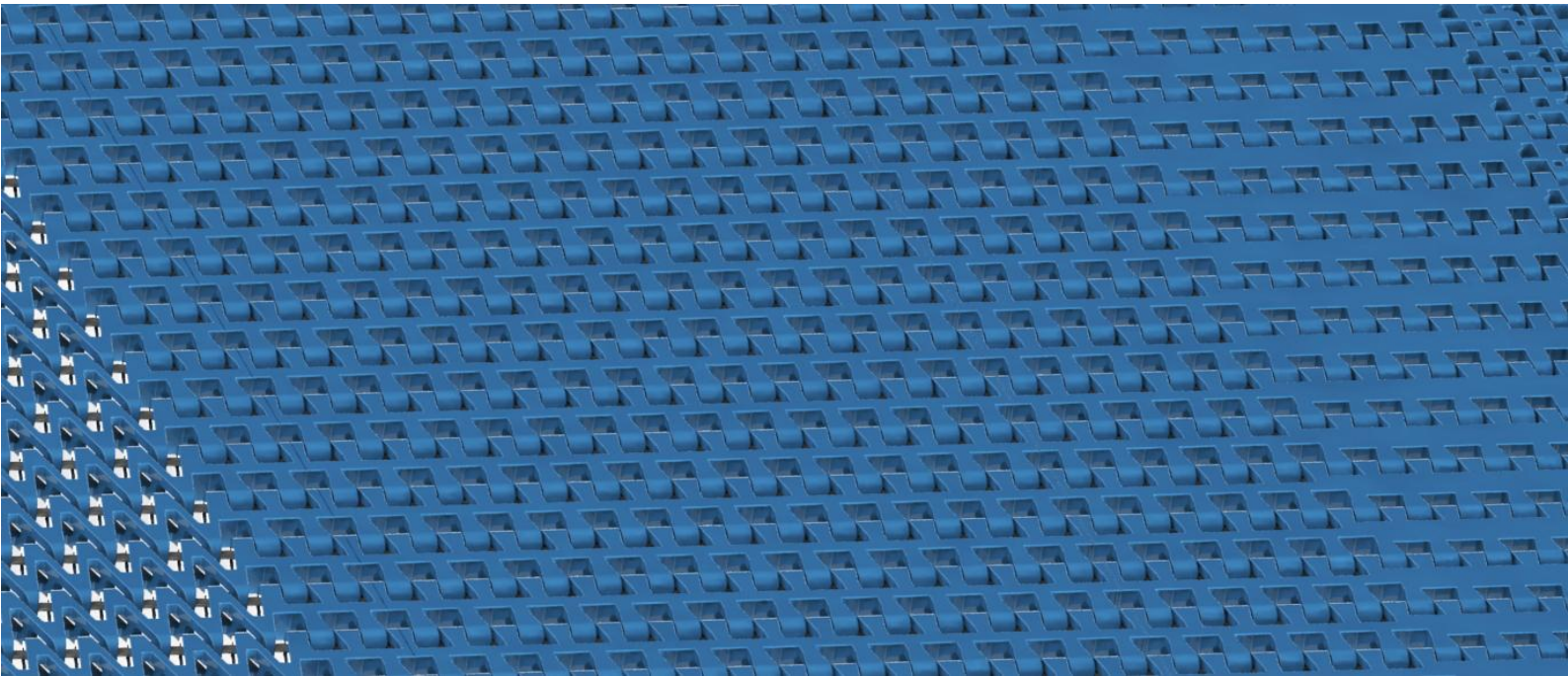
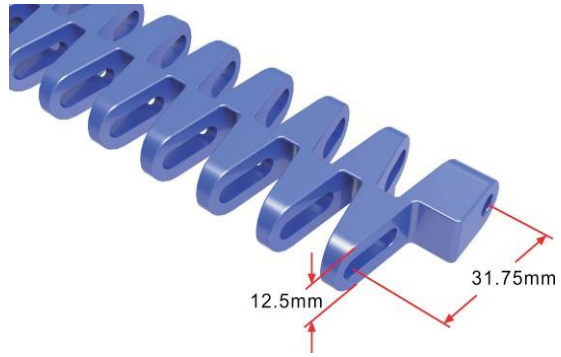


# HS-1201B Technical Data Sheet



Pitch: 31.75mm  
 Minimum Width: 423mm  
 Open Area: 36%  
 Approved: FDA  
 Rod: Ø 4.9mm  
 Flight: No  
 Side Guard: No  
 Curve: Yes



## Data

Belt Material	Belt Strength				Temperature		Belt Weight (Kg/M <sup>2</sup> )
	Straight		Curve		°C (min.)	°C (max.)	
	Kg/M(BW)	N/M(BW)	Kg/M(BW)	N/M(BW)			
Polypropylene	1100	11000	120	1200	1	100	5.2
Polyethylene	1100	11000	120	1200	-60	60	5.5
Acetal	2200	22000	200	2000	-40	80	8.0
HK	1980	19800	200	2000	-40	80	7.6

**BW – Belt Width**

## Color Table

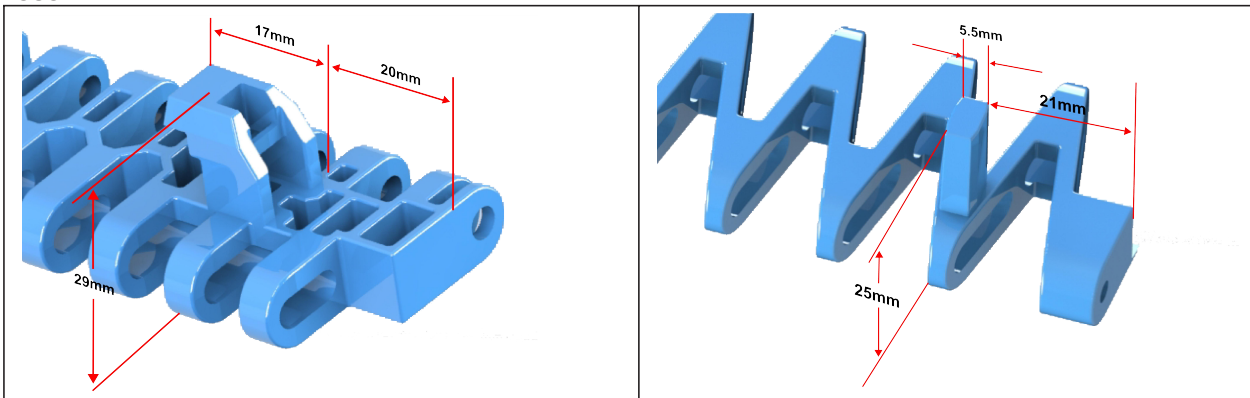
Polypropylene					Polyethylene					Acetal					Nylon				
W	G	N	DB	B	W	G	N	DB	B	W	G	N	DB	B	W	G	N	DB	B
●	●						●			●				●					

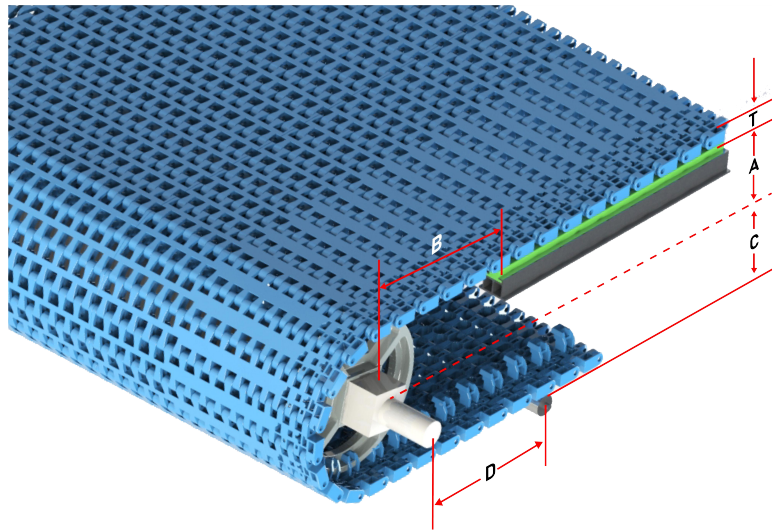
W-White, G-Gray, N-Nature, DB-Darkbrown, B-Blue

## Friction Table

Belt Material	Friction Wear strips & Products							
	UHMW	HDPE	Steel	Glass	SUS	Plastic	Cardboard	Aluminum
Polypropylene	0.32	0.24	0.15	0.09	0.13	0.08	0.15	0.25
Polyethylene	0.13	0.11	0.26	0.19	0.31	0.16	0.21	0.41
Acetal	0.11	0.09	0.27	0.16	0.26	0.15	0.19	0.28

SUS – Stainless Steel

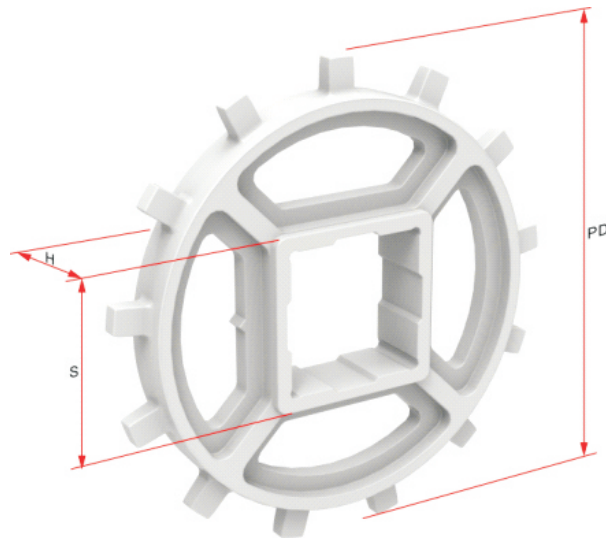




**Conveyor Frame Dimensions**

Unit : mm

No. Teeth	A (Min.)	B (Min.)	C (Max.)	D (Min.)	T
10	46.25	62.5	44	250	12.5
13	61.25	77.5	59	250	
16	77.25	93.5	75	250	



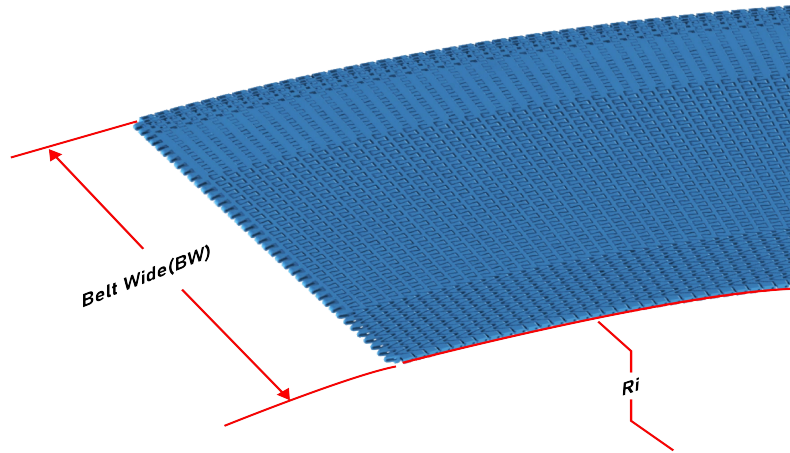
**Sprocket Dimensions**

Unit: mm

No. Teeth	PD	S	D	H	K
10	105	30.5/40.5	25	20	8X8
13	135	38.5/40.5	--	20	--
16	167	38.5/40.5	35.5	25	8X8

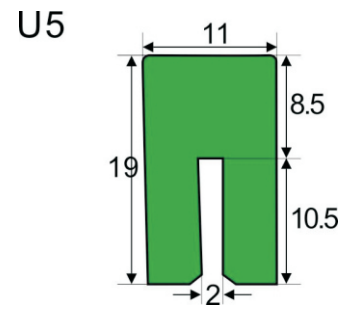
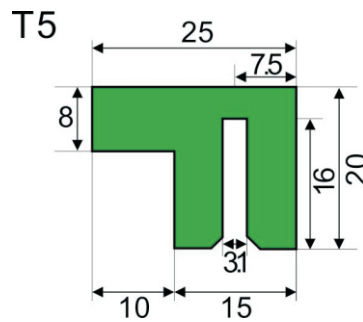
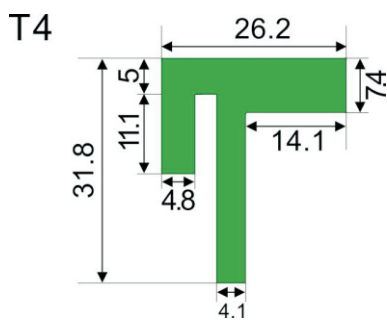
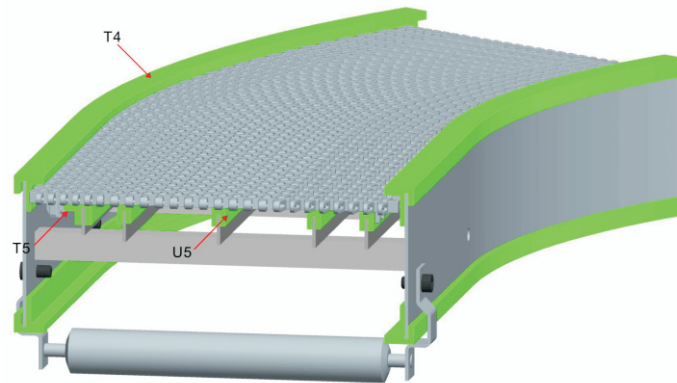


## Design Guide Summary



- ⌘ The minimum turning radius (inside) is 1.3 times of belt width, 1.5 times of belt width is the most optimal.
- ⌘ The minimum straight run section near driving shaft and idling shaft of Radius belt must be 2 times of the belt width in length.
- ⌘ The minimum straight run section between two turns of opposing direction must be 2 times of the belt width in Length.

## Guide Rail & Wear Strips



- ⌘ We have different kinds of guide rail and wear strips for your choice; for more information, please consult our sales team.